

## User Guide

Thank you for purchasing a SKOPE refrigeration product.

### Safety

Always observe safety precautions when using any electrical appliance.

Read these instructions carefully and keep them for future reference.

#### WARNING

- Ensure the appliance is disconnected from the power supply before performing any cleaning or maintenance.
  - Do not cover the grilles or block the entry or exhaust of airflow by placing objects up against the refrigeration unit.
  - Should manual defrosting be necessary, turn off the refrigeration system and allow the ice to melt by air circulation. Collect ice and water during defrost to prevent a slip hazard. Do not use mechanical methods to remove ice, as this may damage the refrigeration circuit.
  - Do not use any electrical devices or appliances inside the food storage compartment.
- This appliance is not intended for use by persons (including children) with reduced physical, sensory or mental capabilities, or lack of experience and knowledge, unless they have been given supervision or instruction concerning use of the appliance by a person responsible for their safety. Children should be supervised to ensure that they do not play with the appliance.
  - Do not use this appliance for other than its intended use.
  - Do not insert fingers/foreign objects into any holes.
  - Only use this appliance with the voltage specified on the cabinet rating label.
  - Ensure the appliance has adequate ventilation as this is essential to economical, high performance.
  - Be careful not to touch moving parts and hot surfaces.
  - For your own safety and that of others, ensure that all electrical work is done by authorised personnel.
  - If the power supply flexible cord becomes damaged, it must be replaced by an authorised service agent or similarly qualified person in order to avoid a hazard.
  - If installing or removing the refrigeration unit, refer to the Installation Guidelines below, and observe all necessary safety precautions.
  - The appliance is not designed to be stable while in motion. Use extreme caution when moving or transporting it.
  - Do not store explosive substances such as aerosol cans with a flammable propellant in this appliance.
  - Do not exceed a maximum load of 20 kg per shelf or drawer.
  - If the cabinet is to be scrapped, ensure the cabinet is unplugged from the power supply and cut off the mains flex close to the back of the cabinet. Be mindful of the risk of animals or children becoming trapped in the appliance – either remove or secure doors if necessary.
  - Refrigerant must be removed by a qualified service person and the cabinet recycled/disposed of in accordance with local regulations.

This cabinet is designed to operate within a specific climatic class environment. The cabinet rating label inside the cabinet lists the climate class number.

Climate class	Ambient temperature	Relative humidity
3	25°C	60%
4	30°C	55%
5	40°C	40%
7 (tropical)	35°C	75%

The cabinet includes relevant hazard symbols that may be associated with the appliance. Refer to the information below for symbol description.



#### WARNING

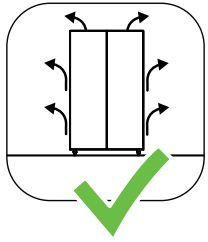
The refrigeration system contains flammable R290 refrigerant. Do not tamper with it. The refrigeration system must only be serviced by qualified personnel.

### Door(s)/Drawers

Cabinets may have hinged stainless steel or glass doors, or stainless steel drawers. All cabinets are fitted with key locks, which can be unlocked with the supplied keys. SKOPE does not recommend opening a door past 90°. The underbench drawers fit GN1/1, 100 mm deep pans as an insert (supplied separately), and the pan top lip maximum height should be no more than 5 mm. The ChefBase cabinet drawers fit GN2/1, GN1/1 and GN1/6, 100 mm deep pans. (Pans are not supplied with the fridge.)

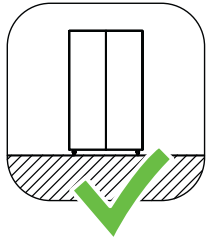
## Installation Guidelines

Ensure you consider and meet the installation guidelines below.



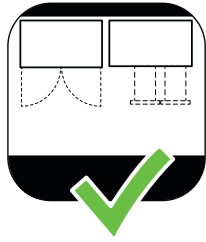
### Ventilation

Ensure all ventilation requirements below are met.



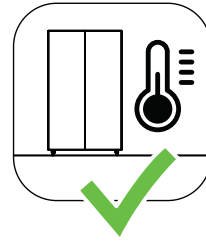
### Surface

The installation surface must be capable of supporting the loaded cabinet.



### Door/Drawer Opening

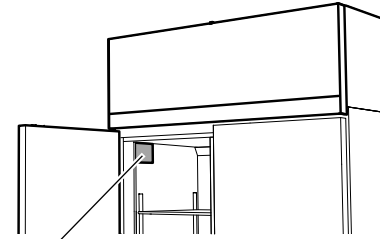
Allow adequate space for the door/s to open and close properly.



### Climate Class

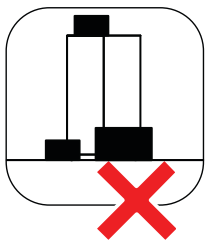
The cabinet must be installed in an environment within its climate class.

The climate class is stated on the cabinet rating label, and explained on the front page of this user guide.



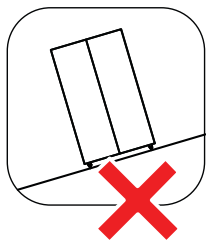
The rating label is located inside the cabinet at the top front of the left or right side wall.

If the cabinet has drawers it may be necessary to remove the top drawer to view the label.



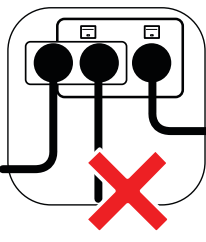
### Blocking Ventilation

Do not store boxes or items in front or on top of the cabinet.



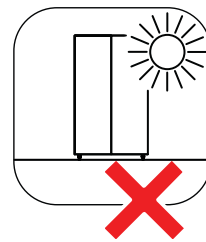
### Uneven Surface

Do not install the cabinet on an uneven surface.



### Power Supply

Do not overload the power supply.



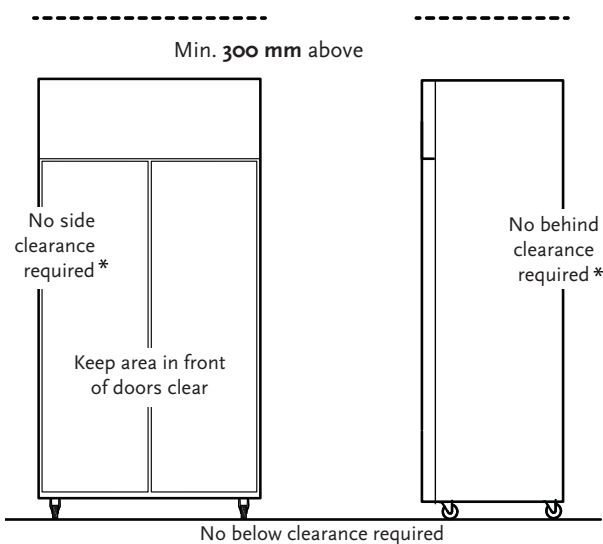
### Sunlight

Do not install the cabinet in direct sunlight.

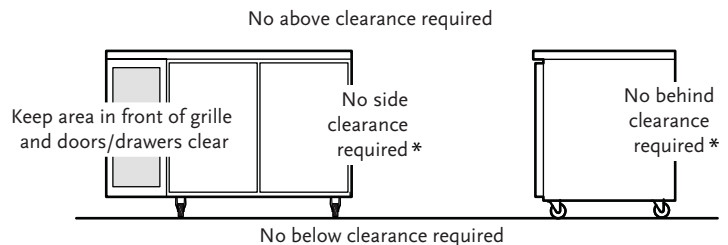
## Ventilation Requirements

This cabinet must have the following ventilation clearances at all times:

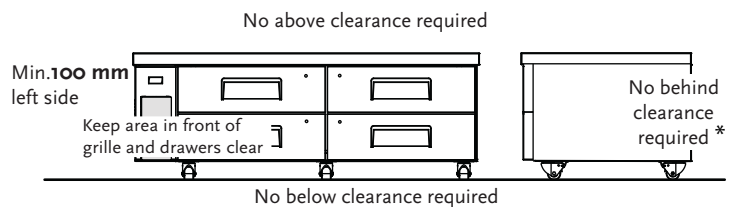
### Upright Cabinets



### Underbench Cabinets



### ChefBase Cabinets



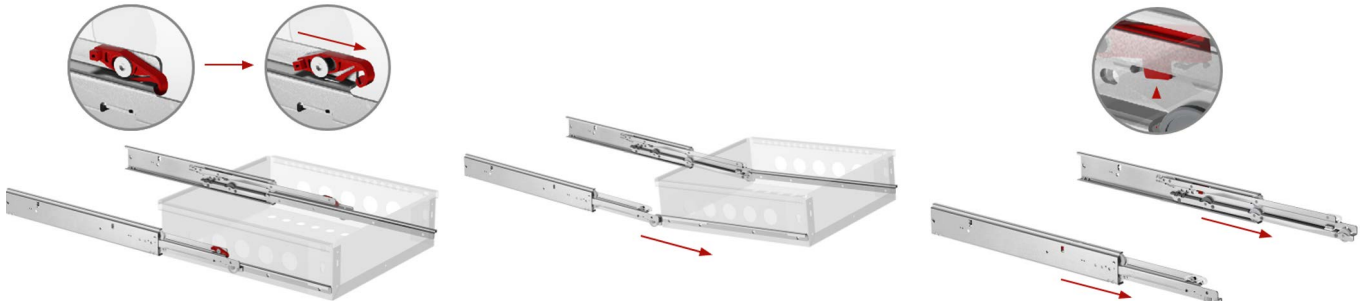
\*When installed for continuous duty in a climate class 7 environment (35°C ambient / 75% relative humidity), SKOPE recommends providing 50 mm clearance around the sides and back of the cabinet.

## Cleaning Before First Use

You must thoroughly clean and sanitise the cabinet interior, drawers and food contact surfaces such as the worktop before first use. Ensure the cabinet is not plugged into the power supply before cleaning, and use only standard stainless steel cleaners suitable for food preparation areas. If required, clean the outside of the cabinet as instructed on the back page of this user guide.

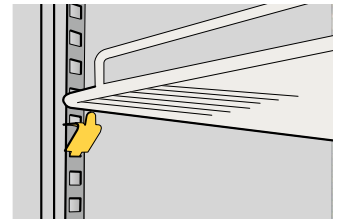
## Drawers

Where fitted, remove drawers for cleaning. Pull the drawer out of the cabinet, release the latches at the side of drawer as shown, and lift the drawer out at an angle. You can also remove the drawer slider by releasing the side catches as shown. Reverse the operation to refit the drawers to the cabinet after cleaning.



## Shelves

Each shelf is held in place with four shelf clips, which clip into the shelf support strips, or on shelf feet which sit on the cabinet floor. The shelf clips may be positioned at different heights to suit various product.



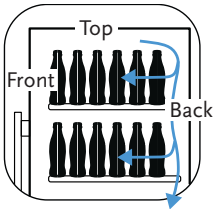
## Power Cord

Before final positioning of the cabinet, pull the power cord out and connect it to the power supply. When connecting an upright cabinet, ensure the power cord is routed through the opening on the wire grille at the back of the cabinet.



## Loading Product

Let the cabinet cool down to the desired storage temperature before loading it with product. When loading the cabinet:



### Internal Airflow

Leave 25 mm space between product and the back of cabinet interior.



### Loading

Do not overload the shelves or drawers.



### Shelf Flexing

Remove product if the shelf is flexing.



### Shelf Overhang

Do not let product hang over the shelves.



### Cabinet Floor

Do not load product on the cabinet floor. Use the shelves.

## Weight Limits for ChefBase Fridges

To ensure a safe workplace, carefully examine and make note of how much weight you plan to place on the bench top of the ChefBase fridge. SKOPE recommends no greater than 200 kg for the 2-drawer fridge and no greater than 400 kg for the 4-drawer fridge.

## Electronic Controller

The electronic controller regulates the cabinet's internal temperature, signals alarms and captures operational information. The internal temperature is set at the factory for storing perishable product. To customise the settings to your requirements and view historical data, download the SKOPE-connect app from the Google Play Store or Apple App Store, and connect via Bluetooth wireless technology.



Apple App store



Google Play store

## Lights

Cabinets with hinged doors have interior lights which switch on and off automatically depending on use.

## Marine Edge

A marine edge on top of the ChefBase cabinets helps contain drips and spills. It also discourages items and equipment from slipping off the table, which increases safety.

## Heat Shield

A heat shield is fitted inside the bench top of the ChefBase cabinets, which can deflect some of the heat from the cooking equipment away from the refrigerated space. It is important to follow the equipment manufacturer's guidelines to maintain food-safe holding temperatures and prolong the unit's life.

## Routine Cleaning

Ensure the cabinet is unplugged from the power supply before cleaning.

**IMPORTANT:** Do **not** use abrasive, corrosive or solvent-based cleaners, as they could damage the protective coating on the exterior of the door.

Wipe the outside of the cabinet with a damp cloth, and the inside of the cabinet with standard stainless steel cleaners suitable for food preparation areas. Take care to keep moisture away from electrical parts.

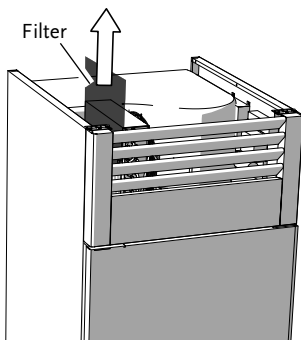
The condenser coil must be kept clean. SKOPE strongly recommends monthly cleaning of the condenser coil and air filter. Do **not** use hard or sharp tools to clean the coil as these may cause damage.

Note: Combination cabinets (cabinets with a fridge and freezer) have two filters and coils.

### Upright cabinets

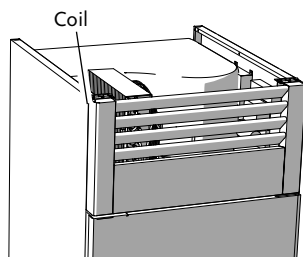
#### To clean the filter

1. Unplug the cabinet from the power supply.
2. Remove the filter, which is located on the side of the condenser coil, on top of the cabinet by reaching over the top of the cabinet and sliding the filter up and off.
  - Do **not** apply hot water, blow-dry, or place in a dishwasher.
  - If necessary, discard and refit a new filter.



#### To clean the coil

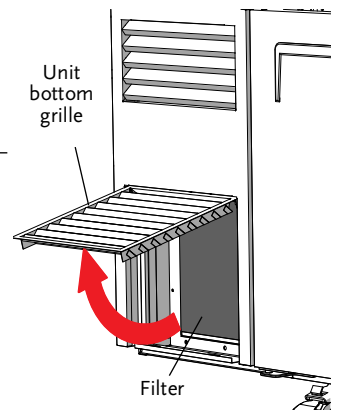
1. Unplug the cabinet from the power supply.
2. Remove the filter (see the previous procedure).
3. Brush the condenser coil with a soft brush to remove any dust or fluff.
4. Refit the filter and reconnect to the power supply.



### Underbench and ChefBase cabinets

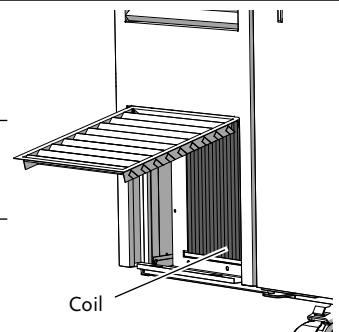
#### To clean the filter

1. Unplug the cabinet from the power supply.
2. Remove the filter, which is located behind the unit bottom grille by rotating the grille out and sliding the filter up and off.
  - Do **not** apply hot water, blow-dry, or place in a dishwasher.
  - If necessary, discard and refit a new filter.



#### To clean the coil

1. Unplug the cabinet from the power supply.
2. Remove the filter (see the previous procedure).
3. Brush the condenser coil with a soft brush to remove any dust or fluff.
4. Refit the filter, close the bottom grille, and reconnect to the power supply.



## Service and Support

We know you will get years of satisfaction from your new SKOPE product when you follow a few simple preventative maintenance guidelines.

Helpful information is available on the SKOPE website: [www.skope.com/serviceandsupport](http://www.skope.com/serviceandsupport)

