

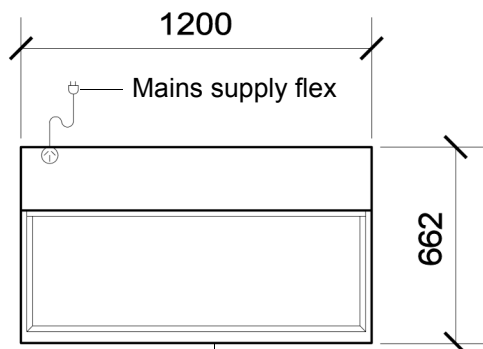
specifications

FDM1200r

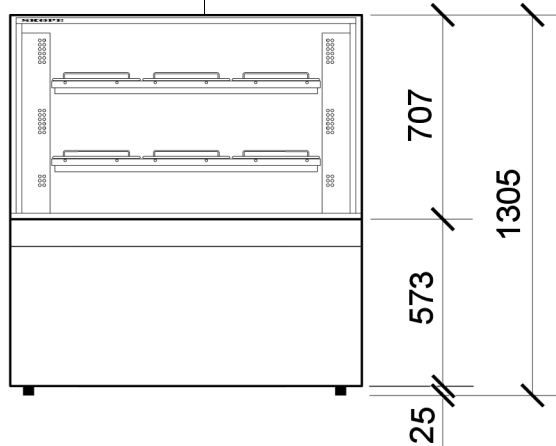
SKOPE Food Display Cabinet
REMOTE Type: F1221

CABINET DIMENSIONS

	External	Internal
Height:	1305mm	800mm
Width:	1200mm	900mm
Depth:	662mm	600mm
Floor area:	0.79m ²	

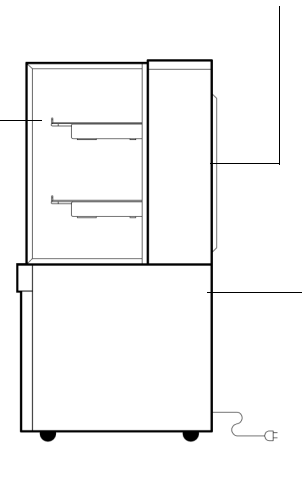


Glass front, sides and top



Adjustable angle shelves

Sliding glass rear doors



Electronic controller display with unit and lighting on/off switches

Copyright © 2007 SKOPE Industries Limited

CABINET SPECIFICATIONS

Refrigeration system:	Remote Food Display Refrigeration Unit with electronic controller
Refrigerant:	R134a / R404A
Pipe connection size:	Liquid line: 1/4". Suction line: 3/8"
Remote refrigeration duty:	540 Watts
Cabinet internal volume:	432 litres
Insulation:	50mm polyurethane foam
Cabinet temperature range:	+1° C to +7° C in 32° ambient
Drainage:	Plumbing required
Electrical:	220-240 Volts a.c. 50 Hz, single phase supply, 0.7 Amp
Internal lighting:	3 x 21 Watt T5 fluorescent tubes (Ø16mm x 850mm) Daylight 860
Rear doors:	2 double-glazed sliding doors with internal mirror finish
Internal door opening size:	2 rear door openings: 390mm wide x 630mm high
Shelves:	3 shelves (2 adjustable angle): 930mm wide x 440mm deep
Total weight:	140 kg

SKOPE Industries Limited reserve the right to alter specifications without notice.

PSS0170 Rev 3.1 Apr. 2016



SKOPE INDUSTRIES LIMITED



New Zealand Freephone: 0800 947 5673, Fax: (03) 983 3896. Australian Freephone: 1800 121 535, Freefax: 1800 121 533

Email: enquiry@skope.co.nz Website: www.skope.co.nz